

DESCRIPTION

AMC MODEL BT-10M18 IS A BIAS TEE DESIGNED FOR OPERATION BETWEEN THE 10 MHz TO 20 GHz FREQUENCY RANGE. THE SIZE IS 1.00" x 1.00" x 0.50".

SPECIFICATIONS

- FREQUENCY RANGE:10 MHz TO 20 GHz
- INSERTION LOSS:1.2 dB MAXIMUM TO 18 GHz
1.5 dB MAXIMUM TO 20 GHz
- BIAS ISOLATION:30 dB MINIMUM 0.3 TO 20 GHz
20 dB MINIMUM 10 MHz TO 0.3 GHz
- VSWR:2.0:1 MAXIMUM
- DC CURRENT:1 AMP MAXIMUM
- DC VOLTAGE:50 VOLTS MAXIMUM
- RESISTANCE:1 OHM TYPICAL

AVAILABLE OPTIONS:

- M:SMA MALE CONNECTOR AT INPUT AND FEMALE CONNECTOR AT OUTPUT.
- MM:SMA MALE CONNECTOR AT INPUT AND OUTPUT

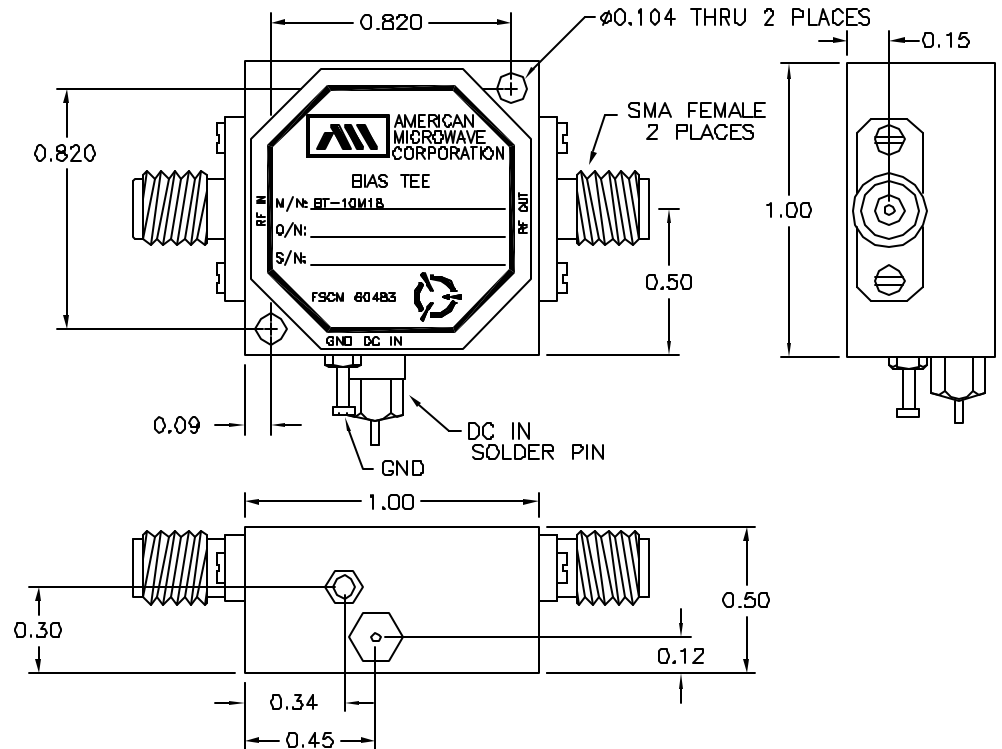
ENVIRONMENTAL RATINGS:

- TEMPERATURE:-54°C TO +100°C (OPERATING)
-65°C TO +100°C (STORAGE)
- HUMIDITY:MIL-STD-202F, METHOD 103B COND. B
- SHOCK:MIL-STD-202F, METHOD 213B COND. B
- VIBRATION:MIL-STD-202F, METHOD 204D COND. B
- ALTITUDE:MIL-STD-202F, METHOD 105C COND. B
- TEMPERATURE CYCLE:MIL-STD-202F, METHOD 107D COND. A

NOTE: SPECIFICATIONS WILL VARY OVER OPERATING TEMPERATURE
NOTE: THE ABOVE SPECIFICATIONS ARE SUBJECT TO CHANGE OR REVISION

ALL DIMENSIONS ARE IN INCHES
TOLERANCES:
X.XX ±0.020
X.XXX ±0.010

ZONE		REV.	DESCRIPTION	DATE	APPROVED
		-	ORIGINAL RELEASE	4/14/87	



AMERICAN MICROWAVE CORPORATION

7311-G GROVE ROAD
FREDERICK, MARYLAND 21704 USA
TEL: 301-662-4700 FAX: 301-662-4938
WEBSITE: www.americanmicrowavecorp.com
E-MAIL: sales@americanmicrowavecorp.com
ISO 9001:2000 CERTIFIED



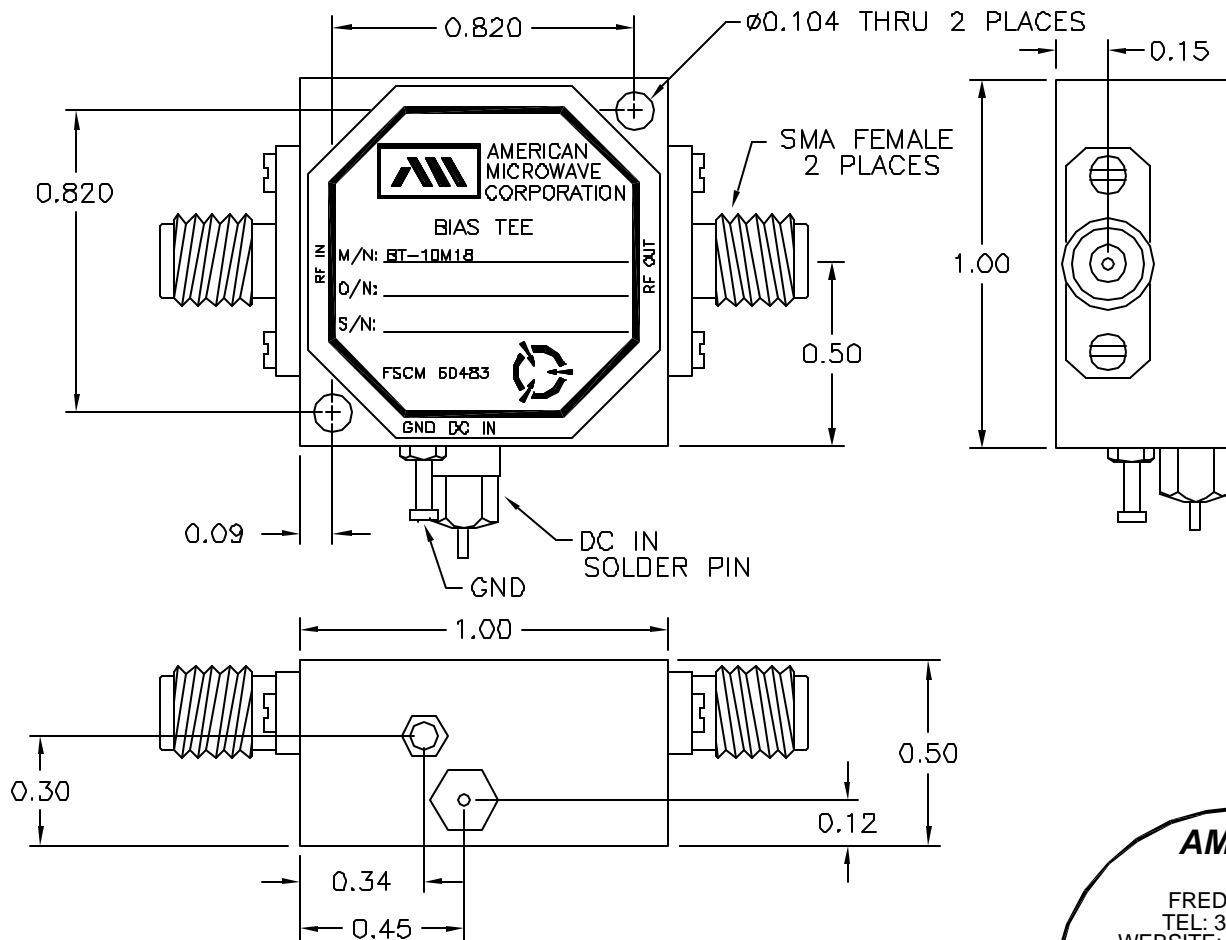
APPROVALS		DATE	TITLE		
DRAWN	<i>BLB</i>	4/14/87	PRODUCT FEATURE BIAS TEE BT-10M18 10 MHz TO 20 GHz, BIAS TEE		
REDRAWN	<i>JDJ</i>	5/4/05	SIZE	FSCM NO.	DWG NO.
ISSUED			A	60483	100-4070
			SCALE	SHEET	
			N:S	1 OF 3	

DESCRIPTION

AMC MODEL BT-10M18 IS A BIAS TEE DESIGNED FOR OPERATION BETWEEN THE 10 MHz TO 20 GHz FREQUENCY RANGE. THE SIZE IS 1.00" x 1.00" x 0.50".

REVISIONS				
ZONE	REV.	DESCRIPTION	DATE	APPROVED
	-	ORIGINAL RELEASE	4/14/97	

MECHANICAL OUTLINE



ALL DIMENSIONS ARE IN INCHES
TOLERANCES:
X.XX ±0.020
X.XXX ±0.010

AMERICAN MICROWAVE CORPORATION

7311-G GROVE ROAD
FREDERICK, MARYLAND 21704 USA
TEL: 301-662-4700 FAX: 301-662-4938
WEBSITE: www.americanmicrowavecorp.com
E-MAIL: sales@americanmicrowavecorp.com
ISO 9001:2000 CERTIFIED



APPROVALS		DATE	TITLE		
DRAWN	<i>BJS</i>	4/14/97	MECHANICAL OUTLINE BIAS TEE BT-10M18 10 MHz TO 20 GHz, BIAS TEE		
REDRAWN	<i>JDS</i>	5/4/05	SIZE	FSCM NO.	DWG NO.
ISSUED			A	60483	100-4070
			SCALE	SHEET	
			N:S	2 OF 3	